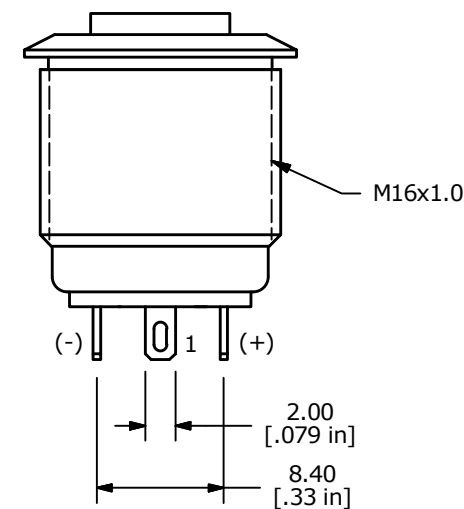
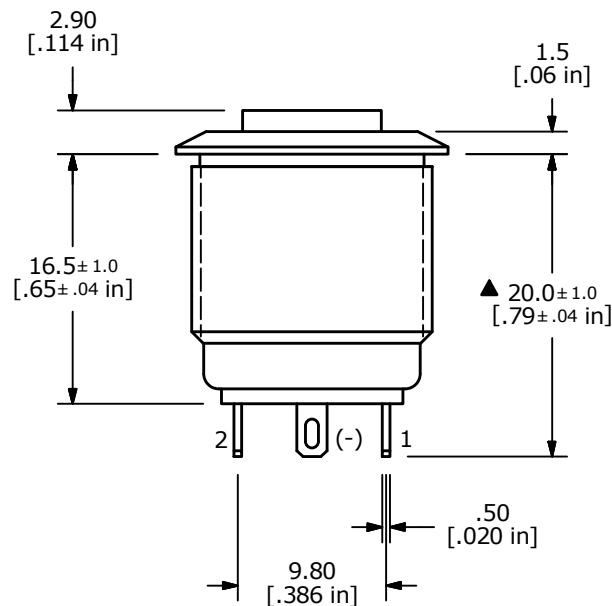
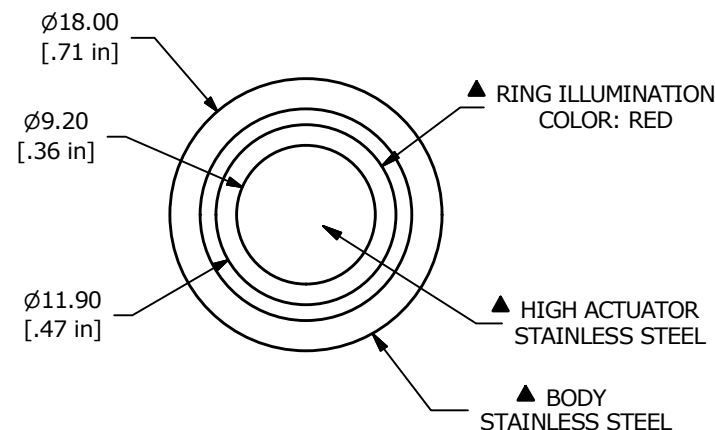
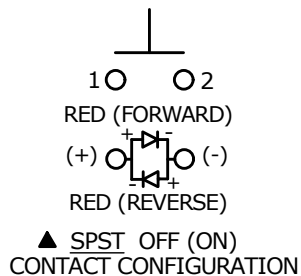


PANEL CUTOUT  
MAX. PANEL THICKNESS  
10.0mm [.315 in]

SWITCH FUNCTION	
POS. 1	POS. 2
OFF	(ON)
OPEN	1-2

(ON) = MOMENTARY



- NOTE:
- ALL DIMENSIONS IN MM [INCH]
  - GENERAL TOLERANCE: X.X = ±0.4  
X.XX = ±0.25
  - TERMINAL NUMBERS FOR REF ONLY
  - CONTACT MATERIAL: GOLD
  - RATING: 2A 48VDC
  - ELECTRIC LIFE: 50,000 MAKE-AND-BREAK CYCLES AT FULL LOAD.
  - INSULATION RESISTANCE: 1,000MΩ MIN.
  - DIELECTRIC STRENGTH: 2,000VAC MIN. FOR 1 MINUTE
  - CONTACT RESISTANCE: 50mΩ MAX. @ 1A 12VDC
  - OPERATING TEMP.: -20°C to 55°C
  - TRAVEL: 1.8mm
  - ▲ DENOTES CRITICAL PARAMETER.
  - HARDWARE SUPPLIED: O-RING AND HEXNUT (NOT SHOWN)
  - ILLUMINATION VOLTAGE RATING: 1.8V (FORWARD), 1.8 (REVERSE)
  - 2011/65/EU (ROHS) COMPLIANT



A	22773	RELEASE FOR PRODUCTION	3/22/17	MW
REV	PCR NO	DESCRIPTION	DATE	BY

TITLE PV6H240SSG-311				
SCALE 2:1	DATE 3/22/2017	DR MW	DWG 52-PV6H240SSG311	REV A

THE INFORMATION CONTAINED IN THIS DOCUMENT IS PROPRIETARY TO E-SWITCH AND IS NOT TO BE COPIED OR TRANSFERRED